

**Determination of installed thermal resistance into a roof
according to EN ISO 6946:2017**

(test name)

Test method: Determination of installed thermal resistance into a roof according to EN ISO 6946:2017
(number of normative document or test method, description of test procedure, test uncertainty)

Product name: Type of products: reflective insulation product (Type 3)
Names of insulation system:

- **TRISO TOITURE (ACTIS SA)**
- **TOP TOIT DUO (ISO 2000 SAS)**

(identification of the specimen)

Customer: SA Orion financement – Avenue de la Gare – FR-11230 CHALABRE, France
(name and address of enterprise)

Manufacturer: ACTIS SA : 30 Avenue de Catalogne - 11300 LIMOUX, France
(name and address of enterprise)

Calculation results for roof construction design without unventilated air cavities (Figure 1):

Roof slope angle, α	Calculation method reference no.	Calculation result, R , (m ² ·K)/W
Flat roof ($\alpha = 0^\circ$)	EN ISO 6946:2017	6.26
Pitched roof ($\alpha = 20^\circ$)		6.27
Pitched roof ($\alpha = 30^\circ$)		6.27
Pitched roof ($\alpha = 45^\circ$)		6.28

R value for others pitched sloop (different α value) can be determined by linear interpolation between two calculated R values

Calculation results for roof construction design with unventilated air cavities (Figure 2):

Roof slope angle, α	Calculation method reference no.	Calculation result, R , (m ² ·K)/W
Flat roof ($\alpha = 0^\circ$)	EN ISO 6946:2017	7.18
Pitched roof ($\alpha = 20^\circ$)		7.26
Pitched roof ($\alpha = 30^\circ$)		7.31
Pitched roof ($\alpha = 45^\circ$)		7.38

R value for others pitched sloop (different α value) can be determined by linear interpolation between two calculated R values

Calculation made by: Building Physics Laboratory, Institute of Architecture and Construction of Kaunas University of Technology
(Name of the organization)

Products used in calculation: TRISO HYBRID / TOP COMBLES (test report no. 199 SF/21 U)
BOOST'R HYBRID / TOP TOIT (test report no. 046B SF/22 U)

Additions information: Application, 2023-04-24

Annex: 1 – Calculation results
(the numbers of the annexes should be pointed out)

Head of Laboratory: K. Banionis
(approves the test results) (n., surname) (signature)

Calculated by: J. Ramanauskas
(calculation made by) (n., surname) (signature)

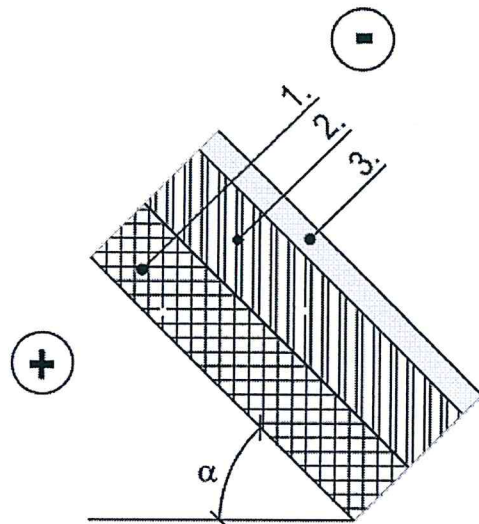
S.P.

Validity – the named data and results refer exclusively to the tested and described specimens.
Notes on publication – no part of this document may be photocopied, reproduced or translated to another language without the prior written consent of the Building Physics Laboratory.

Annex 1: Calculation results

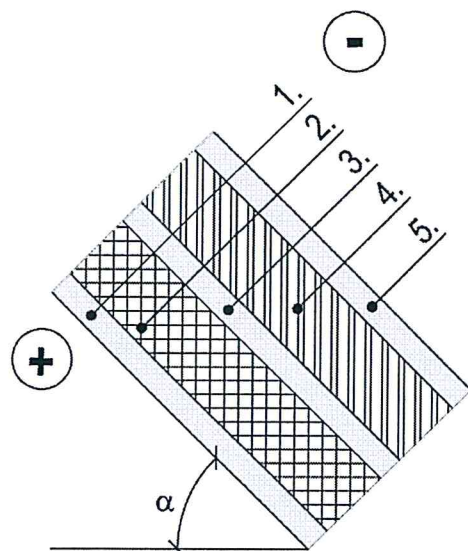
Table 1: Products R_{core} 90/90 values according to LST EN 16012:2012+A1:2015 and EN ISO 10456:2008

Product	Declared R_{core} 90/90 thermal resistance, (m ² ·K)/W
TRISO HYBRID / TOP COMBLES (test report no. 199 SF/21 U)	3.15
BOOST'R HYBRID / TOP TOIT (test report no. 046B SF/22 U)	3.00



1.	TRISO HYBRID / TOP COMBLES
2.	BOOST'R HYBRID / TOP TOIT
3.	Ventilated Air cavity #3

Figure 1. Roof construction design without unventilated air cavities



1.	Unventilated Air cavity #1
2.	TRISO HYBRID / TOP COMBLES
3.	Unventilated Air cavity #2
4.	BOOST'R HYBRID / TOP TOIT
5.	Ventilated Air cavity #3

Figure 2. Roof construction design with unventilated air cavities

Validity – the named data and results refer exclusively to the tested and described specimens.
Notes on publication – no part of this document may be photocopied, reproduced or translated to another language without the prior written consent of the Building Physics Laboratory.

Table 2: Roof construction calculation results for slope $\alpha = 0^\circ$ (EN ISO 6946)

Insulation system TRISO TOITURE or TOPTOIT DUO installed on roof			
Angle: $\alpha = 0^\circ$	Layer	R value	Unit
Ascendant Heat Flux (Winter period)	TRISO HYBRID / TOP COMBLES	3.15	m ² ·K/W
	BOOST'R HYBRID / TOP TOIT	3.00	m ² ·K/W
	Ventilated Air cavity # 3	0.112	m ² ·K/W
	R_{Total}	6.26	m²·K/W

Table 3: Roof construction calculation results for slope $\alpha = 20^\circ$ (EN ISO 6946)

Insulation system TRISO TOITURE or TOPTOIT DUO installed on roof			
Angle: $\alpha = 20^\circ$	Layer	R value	Unit
Ascendant Heat Flux (Winter period)	TRISO HYBRID / TOP COMBLES	3.15	m ² ·K/W
	BOOST'R HYBRID / TOP TOIT	3.00	m ² ·K/W
	Ventilated Air cavity # 3	0.118	m ² ·K/W
	R_{Total}	6.27	m²·K/W

Table 4: Roof construction calculation results for slope $\alpha = 30^\circ$ (EN ISO 6946)

Insulation system TRISO TOITURE or TOPTOIT DUO installed on roof			
Angle: $\alpha = 30^\circ$	Layer	R value	Unit
Ascendant Heat Flux (Winter period)	TRISO HYBRID / TOP COMBLES	3.15	m ² ·K/W
	BOOST'R HYBRID / TOP TOIT	3.00	m ² ·K/W
	Ventilated Air cavity # 3	0.123	m ² ·K/W
	R_{Total}	6.27	m²·K/W

Table 5: Roof construction calculation results for slope $\alpha = 45^\circ$ (EN ISO 6946)

Insulation system TRISO TOITURE or TOPTOIT DUO installed on roof			
Angle: $\alpha = 45^\circ$	Layer	R value	Unit
Ascendant Heat Flux (Winter period)	TRISO HYBRID / TOP COMBLES	3.15	m ² ·K/W
	BOOST'R HYBRID / TOP TOIT	3.00	m ² ·K/W
	Ventilated Air cavity # 3	0.129	m ² ·K/W
	R_{Total}	6.28	m²·K/W

Table 6: Roof construction calculation results for slope $\alpha = 0^\circ$ (EN ISO 6946)

Insulation system TRISO TOITURE or TOPTOIT DUO installed on roof			
Angle: $\alpha = 0^\circ$	Layer	R value	Unit
Ascendant Heat Flux (Winter period)	Unventilated Air cavity # 1	0.448	m ² ·K/W
	TRISO HYBRID / TOP COMBLES	3.15	m ² ·K/W
	Unventilated Air cavity # 2	0.474	m ² ·K/W
	BOOST'R HYBRID / TOP TOIT	3.00	m ² ·K/W
	Ventilated Air cavity # 3	0.112	m ² ·K/W
	R_{Total}	7.18	m²·K/W

Validity – the named data and results refer exclusively to the tested and described specimens.
Notes on publication – no part of this document may be photocopied, reproduced or translated to another language without the prior written consent of the Building Physics Laboratory.

Table 7: Roof construction calculation results for slope $\alpha = 20^\circ$ (EN ISO 6946)

Insulation system TRISO TOITURE or TOPTOIT DUO installed on roof			
Angle: $\alpha = 20^\circ$	Layer	R value	Unit
Ascendant Heat Flux (Winter period)	Unventilated Air cavity # 1	0.482	m ² ·K/W
	TRISO HYBRID / TOP COMBLES	3.15	m ² ·K/W
	Unventilated Air cavity # 2	0.511	m ² ·K/W
	BOOST'R HYBRID / TOP TOIT	3.00	m ² ·K/W
	Ventilated Air cavity # 3	0.118	m ² ·K/W
	R_{Total}	7.26	m²·K/W

Table 8: Roof construction calculation results for slope $\alpha = 30^\circ$ (EN ISO 6946)

Insulation system TRISO TOITURE or TOPTOIT DUO installed on roof			
Angle: $\alpha = 30^\circ$	Layer	R value	Unit
Ascendant Heat Flux (Winter period)	Unventilated Air cavity # 1	0.501	m ² ·K/W
	TRISO HYBRID / TOP COMBLES	3.15	m ² ·K/W
	Unventilated Air cavity # 2	0.533	m ² ·K/W
	BOOST'R HYBRID / TOP TOIT	3.00	m ² ·K/W
	Ventilated Air cavity # 3	0.123	m ² ·K/W
	R_{Total}	7.31	m²·K/W

Table 9: Roof construction calculation results for slope $\alpha = 45^\circ$ (EN ISO 6946)

Insulation system TRISO TOITURE or TOPTOIT DUO installed on roof			
Angle: $\alpha = 45^\circ$	Layer	R value	Unit
Ascendant Heat Flux (Winter period)	Unventilated Air cavity # 1	0.532	m ² ·K/W
	TRISO HYBRID / TOP COMBLES	3.15	m ² ·K/W
	Unventilated Air cavity # 2	0.568	m ² ·K/W
	BOOST'R HYBRID / TOP TOIT	3.00	m ² ·K/W
	Ventilated Air cavity # 3	0.129	m ² ·K/W
	R_{Total}	7.38	m²·K/W

Requirements for calculation validity:

- Calculations of R values are valid for a pitched roof (α is generally from 10° to 45°), and Ceiling (α is equal to 0°).
- Calculations of R values are valid when TRISO TOITURE or TOPTOIT DUO is installed from the internal side of the Roof or the external part of the Roof.
- Calculations of R values are valid when TRISO TOITURE or TOPTOIT DUO is installed in agreement with the installation guidelines described into the manufacturer brochure.
- Calculations of R values are valid when unventilated air cavity is at least 20 mm thick.
- Calculations of R values with different properties than in this report must be recalculate according to EN ISO 6946.

Validity – the named data and results refer exclusively to the tested and described specimens.
Notes on publication – no part of this document may be photocopied, reproduced or translated to another language without the prior written consent of the Science Laboratory of Building Thermal Physics.